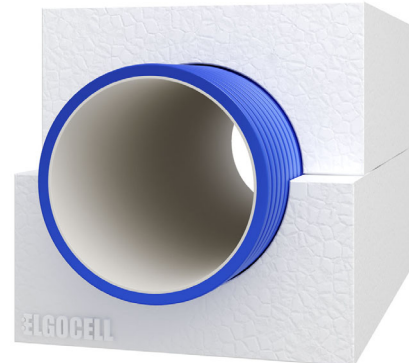


INSULATION FOR UNDERGROUND VENTILATION DUCTS



EPS PIPE™ – VENT is a modern and well-proven solution for insulating temperature-sensitive supply and exhaust air in systems where ventilation ducts are installed underground or beneath buildings.

The method utilizes expanded polystyrene (EPS), a material that combines low weight with high compressive strength – making it ideal for underground applications where both structural integrity and energy efficiency are essential.

Since 2002, Elgocell has successfully applied this method, delivering long-lasting insulation solutions with proven performance.

The standard product range covers dimensions from DN150 to DN1000, compatible with both Elgocell's and Uponor's UVS systems, as specified in the table on pages 2 and 3.

Pre-fabricated bends in 30°, 45°, and 90° angles are available for all dimensions.

EPS PIPE™ – VENT is not limited to a specific brand – all duct types can be insulated upon request.

- Adaptable; easy to cut and adjust
- High density and thermal conductivity
- Easy to handle, easy to install
- Lower requirements for refilling

Standard insulation is based on EPS quality S200. Full technical details are available in the document *EPS Insulation – Technical Data*.

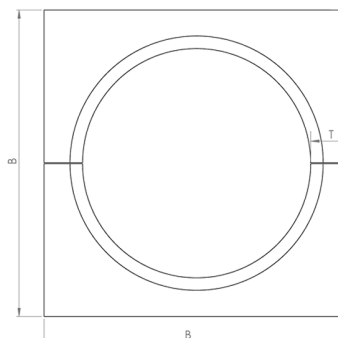
The EPS material is well established in the construction industry and offers a reliable way to ensure efficiency and functionality in underground ventilation systems.

Expanded Polystyrene (EPS) is widely recognised as a highly cost-effective construction and building material.

Due to its exceptional load bearing, it is used in civil engineering projects like embankments for road construction and bridge work, etc.

Using EPS as insulation for pipework is a fairly new phenomenon, however doing it correctly it will provide you with a super-insulated pipe network.

SPECIFICATION - UNDERGROUND VENTILATION DUCTS TYPE ELGOCELL UVS



INSULATION DUCT

MODEL UVS	INSULATION B	INSULATION T	ART. NR
DN150	310 mm	69 mm	EPCU1500
DN200	360 mm	67 mm	EPCU2000
DN250	420 mm	69 mm	EPCU2500
DN300	480 mm	70 mm	EPCU3000
DN400	610 mm	77 mm	EPCU4000
DN500	740 mm	85 mm	EPCU5000
DN600	870 mm	90 mm	EPCU6000
DN800	1110 mm	100 mm	EPCU8000
DN1000	1360 mm	110 mm	EPCU1000

INSULATION BEND 90°

MODEL UVS	INSULATION B	INSULATION T	ART. NR
DN150	310 mm	57 mm	EPCU1590
DN200	360 mm	50 mm	EPCU2090
DN250	420 mm	50 mm	EPCU2590
DN300	480 mm	55 mm	EPCU3090
DN400	610 mm	52 mm	EPCU4090
DN500	740 mm	60 mm	EPCU5090
DN600	870 mm	65 mm	EPCU6090
DN800	1110 mm	65 mm	EPCU8090
DN1000	1360 mm	70 mm	EPCU1090

INSULATION BEND 45°

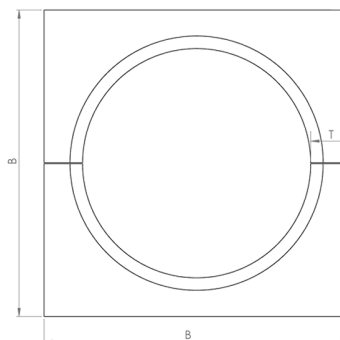
MODEL UVS	INSULATION B	INSULATION T	ART. NR
DN150	310 mm	57 mm	EPCU1545
DN200	360 mm	50 mm	EPCU2045
DN250	420 mm	50 mm	EPCU2545
DN300	480 mm	55 mm	EPCU3045
DN400	610 mm	52 mm	EPCU4045
DN500	740 mm	60 mm	EPCU5045
DN600	870 mm	65 mm	EPCU6045
DN800	1110 mm	65 mm	EPCU8045
DN1000	1360 mm	70 mm	EPCU1045

INSULATION BEND 30°

MODEL UVS	INSULATION B	INSULATION T	ART. NR
DN150	310 mm	57 mm	EPCU1530
DN200	360 mm	50 mm	EPCU2030
DN250	420 mm	50 mm	EPCU2530
DN300	480 mm	55 mm	EPCU3030
DN400	610 mm	52 mm	EPCU4030
DN500	740 mm	60 mm	EPCU5030
DN600	870 mm	65 mm	EPCU6030
DN800	1110 mm	65 mm	EPCU8030
DN1000	1360 mm	70 mm	EPCU1030

>DN1000 is available upon request

SPECIFICATION - UNDERGROUND VENTILATION DUCTS TYPE UPONOR UVS



INSULATION DUCT

MODEL UVS	INSULATION B	INSULATION T	ART. NR
DN200	350 mm	75 mm	ECPC126
DN250	400 mm	75 mm	ECPD074
DN315	460 mm	72.5 mm	ECPD072
DN400	610 mm	80 mm	ECPE054
DN500	740 mm	90 mm	ECPG018
DN600	870 mm	95 mm	ECPH014
DN800	1110 mm	105 mm	ECPJ010

INSULATION BEND 90°

MODEL UVS	INSULATION B	INSULATION T	ART. NR
DN200	350 mm	60 mm	ECPK140
DN250	400 mm	60 mm	ECPK146
DN315	460 mm	55 mm	ECPK128
DN400	610 mm	60 mm	ECPK008
DN500	740 mm	60 mm	ECPK066
DN600	870 mm	70 mm	ECPK072
DN800	1110 mm	65 mm	ECPK206

INSULATION BEND 45°

MODEL UVS	INSULATION B	INSULATION T	ART. NR
DN200	350 mm	60 mm	ECPK138
DN250	400 mm	60 mm	ECPK144
DN315	460 mm	55 mm	ECPK126
DN400	610 mm	60 mm	ECPK006
DN500	740 mm	60 mm	ECPK064
DN600	870 mm	70 mm	ECPK088
DN800	1110 mm	65 mm	ECPK204

INSULATION BEND 30°

MODEL UVS	INSULATION B	INSULATION T	ART. NR
DN200	350 mm	60 mm	ECPK136
DN250	400 mm	60 mm	ECPK142
DN315	460 mm	55 mm	ECPK124
DN400	610 mm	60 mm	ECPK084
DN500	740 mm	60 mm	ECPK062
DN600	870 mm	70 mm	ECPK090
DN800	1110 mm	65 mm	ECPK202

>DN800 is available upon request